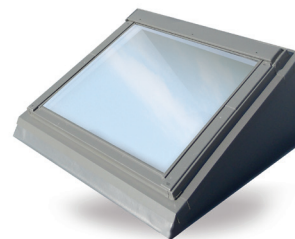


Flat Roof Systems Roof Windows

Many properties have extensions with flat or near flat roofs. Keylite have developed a Flat Roof System specifically for this application that provides all the benefits of natural daylight and ventilation into the area beneath.



Features

- ▶ **Complete Kit** - Within the Keylite Flat Roof System the following are included:
 - ▶ Fully insulated timber upstand,
 - ▶ All associated Flat Roof System flashings required
 - ▶ Roof window of your choice.
- ▶ **Flexibility** - The Keylite Flat Roof System is available for the entire Keylite Roof Window range.
- ▶ **Unique Design** - In order to maximise the amount of natural light entering the room, the front and back frames of the insulated timber upstand are set at an angle.
- ▶ **Futuretherm Technology** - All Keylite Flat Roof Systems are now provided with Keylite's new innovative Futuretherm Technology.
- ▶ **Installation** - Keylite Flat Roof Systems come prefabricated for ease of installation on site and can be installed in a flat roof not exceeding 15°
- ▶ **Operation** - The system can be operated manually, with Keylite Electric Operation and Smoke Ventilation Systems.

Guarantee

- ▶ **10 Years** - Keylite's hassle free guarantee on windows, insulated upstand and all associated flashings.
- ▶ **3 Years** - Keylite's hassle free guarantee on blinds, accessories and electrics.

Installation and Accessory Products

- ▶ **Flashings**
Flat Roof System (FRS)
Combi Flat Roof System (CFRS)
- ▶ **Accessories**
2 meter window pole (WP2M)
3 meter window pole (WP3M)
Premium electric kit (PEK1W)
Standard electric kit (SEK1W)
Opening restrictor (OR)
Security lock (SL)

- Combi Flat roof system
System U value**
- ▶ **Window**
1.3 w/m²k (double glazed)
1.0 w/m²k (triple glazed)
 - ▶ **Upstand**
0.3 w/m²k

Application

- ▶ Keylite recommend installing the window so that the top frame is between 1.85 - 2.20m above the floor for ease of operation. For installation of roof windows above 2.2m Keylite also recommend electrical operation and a laminated inner pane.

Maintenance

- ▶ The glazing pane of a Keylite Roof Window can be cleaned with a soft, clean cloth/chamois or non-metal squeegee. Clean water will be sufficient for cleaning the pane. The sash can be rotated through 180° where the outer pane can become available for cleaning once locked in position using the plastic locking mechanism located along the top of the sash.

Finish Options

- ▶ **Interior** - Pine
White (WF)
- ▶ **Exterior** - Grey
Conservation Black (CW)

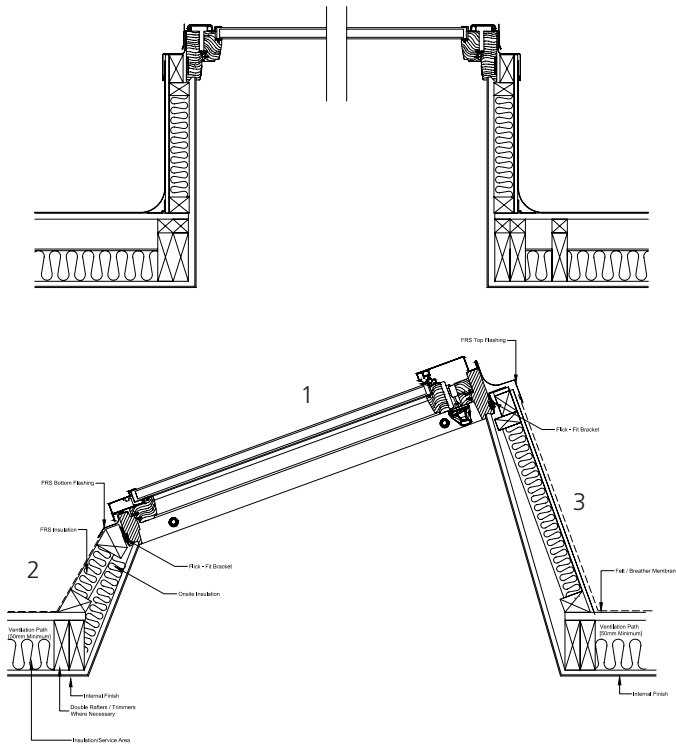


Window Sizes (WxH)	550x780	550x980	660x1180	780x980	780x1180	780x1400	940x1600	1140x1180	1340x980	1340x1400
Structural Opening Size	530x1000	530x1200	640x1400	760x1200	760x1400	760x1620	920x1820	1120x1400	1320x1200	1320x1620
PINE FINISH										
Keylite Therm Product Code	FRS-CP-01-T	FRS-CP-02-T	FRS-CP-03-T	FRS-CP-04-T	FRS-CP-05-T	FRS-CP-06-T	FRS-CP-07-T	FRS-CP-08-T	FRS-CP-09-T	FRS-CP-10-T
PINE FINISH										
Keylite Thermal Product Code	To order White Finish please add the prefix "WF" to the code ie. WF-FRS-CP-01-T									

Structural opening sizes = Window width -20mm & Window Height +220mm

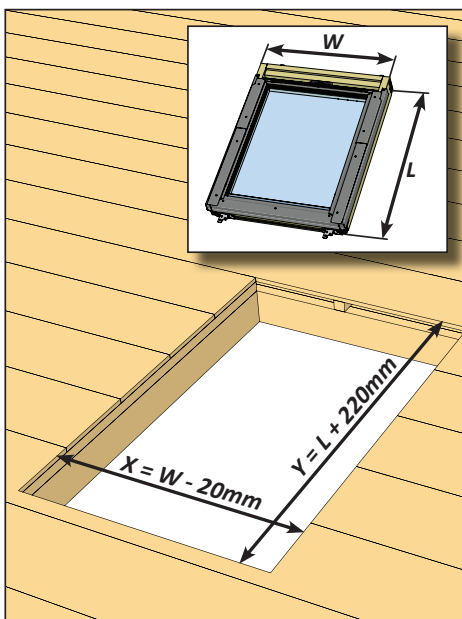
Technical Information

Cross Sections



FRS Upstand Heights		
1 Length of window	2 Front of window	3 Height at Rear
780mm	200mm	507mm
980mm	200mm	575mm
1180mm	200mm	643mm
1400mm	200mm	718mm
1600mm	200mm	786mm

Structural Opening Sizes



	W x L	X x Y
FRS-CP-01	550 x 780	530 x 1000
FRS-CP-02	550 x 980	530 x 1200
FRS-CP-03	660 x 1180	640 x 1400
FRS-CP-04	780 x 980	760 x 1200
FRS-CP-05	780 x 1180	760 x 1400
FRS-CP-06	780 x 1400	760 x 1620
FRS-CP-07	940 x 1600	920 x 1820
FRS-CP-08	1140 x 1180	1120 x 1400
FRS-CP-09	1340 x 980	1320 x 1200
FRS-CP-10	1340 x 1400	1320 x 1620

* Please note other sizes available, for further assistance contact the keylite sales team.

Keylite UK

Ryder Close, Cadley Hill Industrial Estate,
Swadlincote, South Derbyshire, DE11 9EU

T: +44 (0) 1283 200 150
E: info@keyliteuk.com

NI & ROI

Derryloran Industrial Est. Sandholes Road,
Cookstown, Co. Tyrone, BT80 9LU

T: +44 (0) 28 8675 8921
E: info@keylite.co.uk